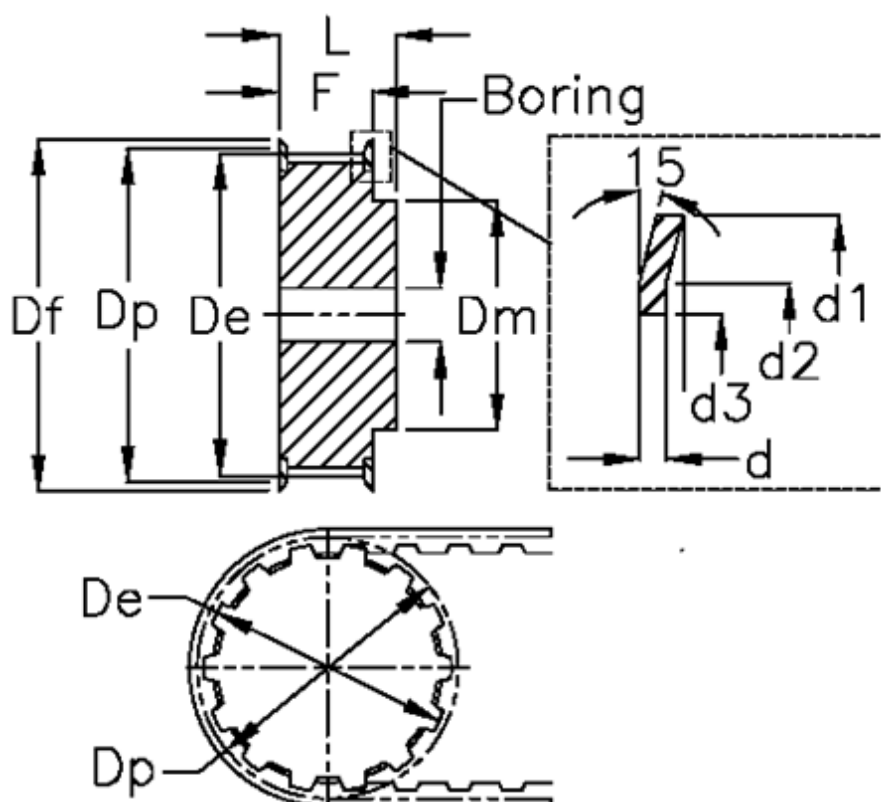


Article number: 604140016009

Description: Timing belt pulley with hub
HTD 16 3M 9

Measures



Bore = 4	Dp = 15.28
d = 0.5	F = 12.8
d1 = 18	Flange type = F05
d2 = 15	L = 20.6
d3 = 11.5	Tooth number = 16
De = 14.52	Type = 3M
Df = 18	Weight = 0.007
Dm = 10	Width = 09